


### TRACK CONDITIONS

Date: \_\_\_\_\_ Driver: \_\_\_\_\_  
 Event: \_\_\_\_\_ Car: \_\_\_\_\_  
 Track: \_\_\_\_\_ Weight: \_\_\_\_\_ g  
 Surface: \_\_\_\_\_ Smooth \_\_\_\_\_ Med. \_\_\_\_\_ Bumpy  
 Size: \_\_\_\_\_ Open \_\_\_\_\_ Med. \_\_\_\_\_ Tight  
 Traction: \_\_\_\_\_ High \_\_\_\_\_ Med. \_\_\_\_\_ Low  
 Track Temp / Air Temp: \_\_\_\_\_ ° / \_\_\_\_\_ °  
 Note: \_\_\_\_\_

### FRONT SUSPENSION

Front Droop \_\_\_\_\_ mm




Toe Angle \_\_\_\_\_ °

Anti-Roll Bar: \_\_\_\_\_ °

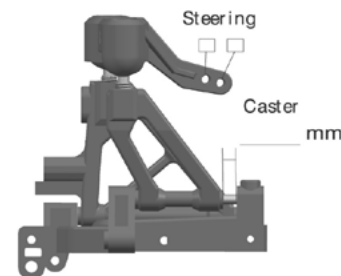
Diff. Fluid: \_\_\_\_\_ wt

One-Way: \_\_\_\_\_



Steering \_\_\_\_\_

Caster \_\_\_\_\_ mm

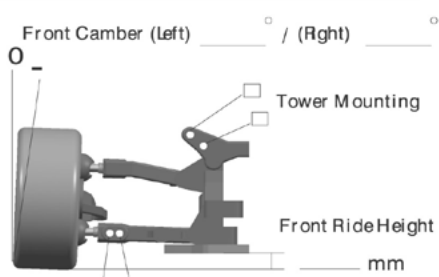


Front Camber (Left) \_\_\_\_\_ ° / (Right) \_\_\_\_\_ °

Tower Mounting \_\_\_\_\_


Front Ride Height \_\_\_\_\_ mm

Arm Mounting \_\_\_\_\_



mm

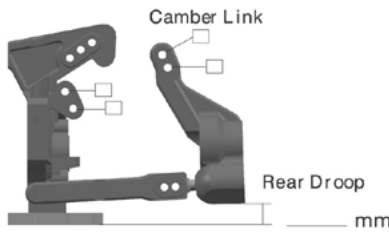
Front Width



### REAR SUSPENSION

Camber Link \_\_\_\_\_

Rear Droop \_\_\_\_\_ mm

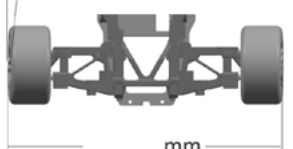


Toe Angle \_\_\_\_\_ °

Anti-Roll Bar: \_\_\_\_\_ °

Diff. Fluid: \_\_\_\_\_ wt

Solid Axle: \_\_\_\_\_

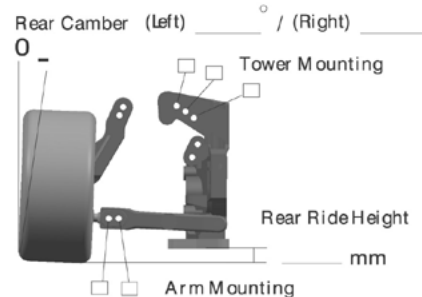


Rear Camber (Left) \_\_\_\_\_ ° / (Right) \_\_\_\_\_ °

Tower Mounting \_\_\_\_\_

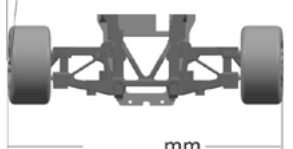
Rear Ride Height \_\_\_\_\_ mm

Arm Mounting \_\_\_\_\_



mm

Rear Width



### ENGINE

Clutch Set Type \_\_\_\_\_ t \_\_\_\_\_ t

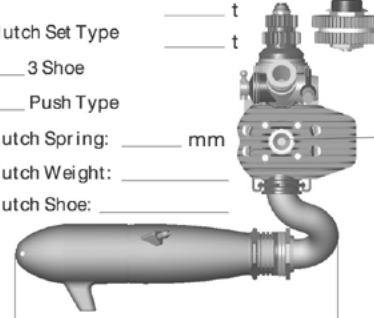
\_\_\_\_\_ 3 Shoe

\_\_\_\_\_ Push Type

Clutch Spring: \_\_\_\_\_ mm

Clutch Weight: \_\_\_\_\_

Clutch Shoe: \_\_\_\_\_



Engine: \_\_\_\_\_

Plug: \_\_\_\_\_

Fuel: \_\_\_\_\_

Manifold: \_\_\_\_\_

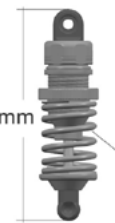
Pipe: \_\_\_\_\_

Notes: \_\_\_\_\_

Front \_\_\_\_\_

Rear \_\_\_\_\_

mm



Front \_\_\_\_\_

Rear \_\_\_\_\_

Oil: \_\_\_\_\_ / \_\_\_\_\_ wt

Piston: \_\_\_\_\_ / \_\_\_\_\_

Spring \_\_\_\_\_

Front \_\_\_\_\_

Rear \_\_\_\_\_

mm

Front Tire: \_\_\_\_\_

Left \_\_\_\_\_ Right \_\_\_\_\_

Shore: \_\_\_\_\_ ° / \_\_\_\_\_ °

Diameter (Start) \_\_\_\_\_ / \_\_\_\_\_ mm

Diameter (Finish) \_\_\_\_\_ / \_\_\_\_\_ mm

Rear Tire: \_\_\_\_\_

Left \_\_\_\_\_ Right \_\_\_\_\_

Shore: \_\_\_\_\_ ° / \_\_\_\_\_ °

Diameter (Start) \_\_\_\_\_ / \_\_\_\_\_ mm

Diameter (Finish) \_\_\_\_\_ / \_\_\_\_\_ mm

### COMMENTS

Lap / Race Time: \_\_\_\_\_  
 Best Lap Time: \_\_\_\_\_  
 Position: \_\_\_\_\_  
 Notes: \_\_\_\_\_



Body: \_\_\_\_\_  
 Radio: \_\_\_\_\_  
 ST. Servo: \_\_\_\_\_  
 TH. Servo: \_\_\_\_\_